

JOB NAME _____

CONTACT _____

ORDERING CODE _____

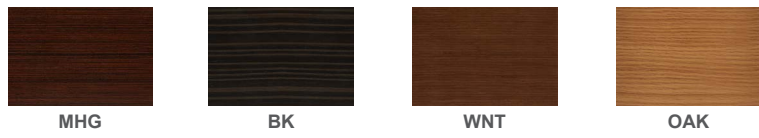
ORDERING CODE

ADA LM-79

SERIES	WALL	indoor wall sconce
TYPE	ZEN	ZEN up and down, 9.2W, 278lm up, 278lm down
CCT	30K	3000K
CRI	90	90 CRI
VOLTAGE	UNV	120V-277V
DIMMING	ELV ¹	trailing edge dimming to 5%
FINISH	BK MHG OAK WNT	black mahogany oak walnut

ZEN

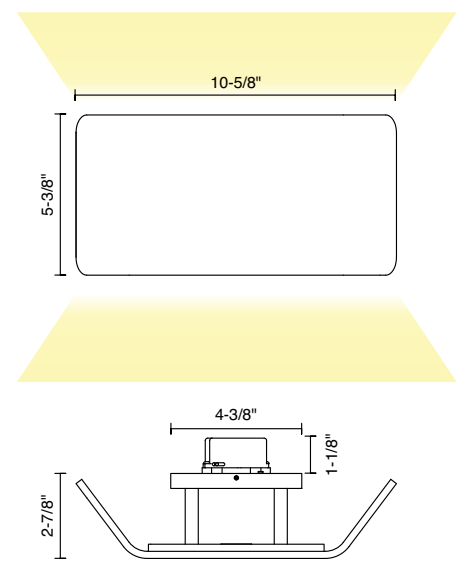
Indirect Wall



ORDERING CODE _____

Follow the steps to specify your fixture, example:
WALL - ZEN - 30K - 90 - UNV - ELV - OAK

NOTES
1. ELV only available at 120V.



DESCRIPTION

ZEN is an indirect LED sconce made of formed, layered wood. Its wood body offers a contemporary look with a warm classic feel. It is offered in four gorgeous finishes with white canopy for vertical or horizontal mounting.

HOUSING

Formed layered wood.

MOUNTING

- Square base over a 3-1/2" to 4" recessed round junction box.

ELECTRICAL/CONTROLS

- Dimmer: Lutron DVVELV-300P

LISTINGS

- ETLus Listed to UL1598 (suitable for dry location only)
- cETL Listed to CSA C22.2 #250.0 and #9.0
- ADA Compliant

LED INFO

- LED: Zigen ZGIBGX30KHO
- SDCM: 3-step MacAdam Ellipse
- Lumen Maintenance: $L_{70} > 50,000$ hrs
- Warranty: 5 year limited warranty